

YSMZ2

系列PTC热敏电阻器

YSMZ2 series
PTC thermistor

产品概述:

YSMZ2系列PTC热敏电阻器应用于各类荧光灯电子镇流器, 电子节能灯中, 不必改动线路将产品直接跨接在灯管的谐振电容两端, 可以改变电子镇流器, 电子节能灯的硬启动为预热启动, 灯丝的预热时间达0.4~2.0秒, 可延长灯管寿命4倍以上。

Product Overview:

YSMZ2 series of PTC thermistor applied to various types of fluorescent lamp electronic ballasts, electronic energy-saving lamps, the lines do not have to be changed, and the product directly across the resonant capacitor is connected to the tube ends, you can change the electronic ballasts, electronic energy-saving lamps Hard-start into the warm-start, the filament warm-up time up to 0.4 ~ 2.0 seconds, and extend lamp life four times.

产品特点:

- 1、在应用于荧光灯电子镇流器, 电子节能灯中, 不必改动线路将产品直接跨接在灯管的谐振电容两端。
- 2、可以改变电子镇流器、电子节能灯的硬启动为预热启动, 灯丝的预热时间达0.4-2.0秒, 可延长灯管寿命四倍以上。
- 3、最高耐电压可达AC1000V。
- 4、可以用于频繁开关、启动延迟时间稳定。
- 5、开关寿命可达10,000次。

Features:

- 1、applied to fluorescent lamp electronic ballasts, electronic energy-saving lamps, the lines do not have to be changed, and the product directly across the resonant capacitor is connected to the tube ends.
- 2、you can change the electronic ballasts, electronic energy-saving lamps Hard-start into the warm-start, the filament warm-up time up to 0.4 ~ 2.0 seconds, and extend lamp life four times.
- 3、the maximum withstand voltage up to AC1000V.
- 4、can be used for frequent switching, start delayed time and stability.
- 5、switch life of up to 10,000 times.

应用原理:

应用PTC热敏电阻实现预热启动如下图: 刚接通开关时, R_t 处于常温态, 其阻值远远低于 C_2 阻值, 电流通过 C_1 , R_t 形成回路预热灯丝。约0.4-2秒后, R_t 焦耳热温度超过居里温度 T_c 跃入高阻态, 其阻值远远高于 C_2 阻抗, 电流通过 C_1 、 C_2 形成回路导致L谐振, 产生高压点亮灯管。

对某一特定的电子镇流器、电子节能灯而言, 所选用的PTC阻值越大、体积越小、居里温度越低, 其功耗就越小、预热时间亦越短; 反之功耗就越大, 预热时间亦越长。

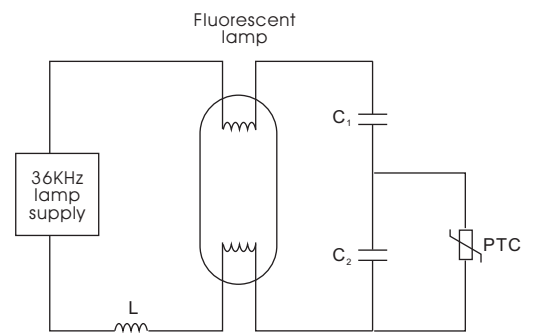
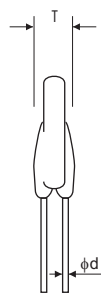
Application of Principle:

Application of PTC thermistor to achieve preheated start as the following figure: just turned the switch, R_t at a normal temperature state, its resistance is far lower than the C_2 resistance, current flows through C_1 , R_t preheat the filament to form loops. About 0.4-2 seconds, R_t Joule heating temperature exceeds the Curie temperature T_c leap into high-impedance state, its resistance is much higher than C_2 impedance, current flows through C_1 , C_2 form a resonant circuit caused L to generate high-voltage light tube.

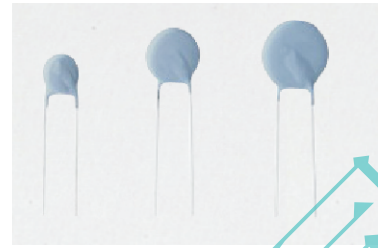
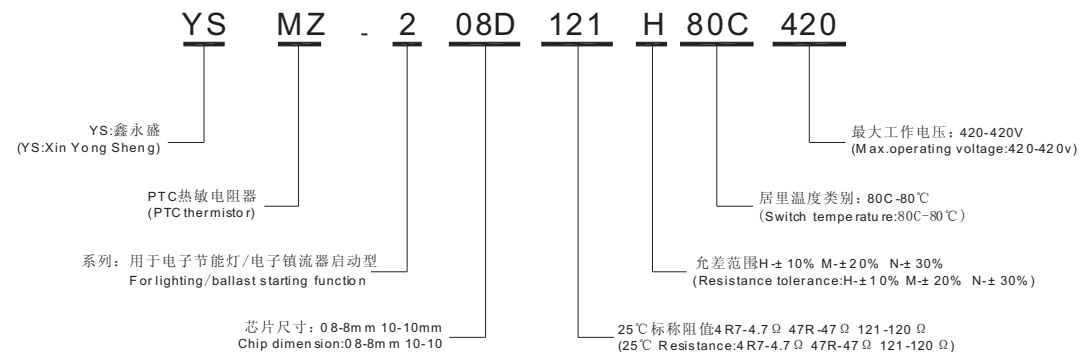
For a particular electronic ballast and electronic energy-saving lamps, choosing the greater PTC resistance, the smaller the size and the lower Curie temperature, then the smaller its power, the shorter warm-up time; the other hand the greater the power, the longer the preheating time.

产品外形尺寸: Product Dimensions

Unit: mm



产品型号说明: Product Type Description



Part Number 型号	Switch temperature 居里温度 T _c (°C)	Resistance @ 25°C 额定电阻值 R ₂₅ (Ω)	Max. current 最大电流 I _{max} (mA)	Withstanding voltage 耐电压 V _{dc} (V)	Dimension 外形尺寸 (mm)		
					M _{max}	T _{max}	Φ M
YSMZ2-03D151N80C500	80	150 ± 30%	200	500	4.5	5.0	0.5
YSMZ2-03D271N80C650		270 ± 30%	200	650			
YSMZ2-03D391N80C650		390 ± 30%	200	650			
YSMZ2-03D681N80C800		680 ± 30%	200	800			
YSMZ2-03D102N80C800		1000 ± 30%	100	800			
YSMZ2-03D151N100C420	100	150 ± 30%	200	420	4.5	5.0	0.5
YSMZ2-03D175N100C500		175 ± 30%	200	500			
YSMZ2-03D225N100C500		225 ± 30%	200	500			
YSMZ2-03D391N100C650		390 ± 30%	200	650			
YSMZ2-03D561N100C650		560 ± 30%	200	650			
YSMZ2-03D681N100C650	680 ± 30%	200	650				
YSMZ2-03D102N100C800	1000 ± 30%	100	800				
YSMZ2-04D82RN80C500	80	82 ± 30%	300	500	5.5	5.0	0.6
YSMZ2-04D101N80C500		100 ± 30%	300	500			
YSMZ2-04D151N80C500		150 ± 30%	300	500			
YSMZ2-04D221N80C650		220 ± 30%	300	650			
YSMZ2-04D391N80C650		390 ± 30%	300	650			
YSMZ2-04D561N80C800	560 ± 30%	200	800				
YSMZ2-04D681N80C800	680 ± 30%	200	800				
YSMZ2-04D102N80C800	1000 ± 30%	100	800				
YSMZ2-04D101N100C420	100	100 ± 30%	300	420	5.5	5.0	0.6
YSMZ2-04D151H100C500		150 ± 25%	300	500			
YSMZ2-04D175H100C500		175 ± 25%	300	500			
YSMZ2-04D225N100C500		225 ± 30%	300	500			
YSMZ2-04D301N100C650		300 ± 30%	300	650			
YSMZ2-04D391N100C650	390 ± 30%	300	650				
YSMZ2-05D101N80C500	80	100 ± 30%	400	500	6.5	5.0	0.6
YSMZ2-05D151N80C650		150 ± 30%	400	650			
YSMZ2-05D271N80C800		270 ± 30%	400	800			
YSMZ2-05D391N80C800		390 ± 30%	400	800			
YSMZ2-05D561N80C900		560 ± 30%	300	900			
YSMZ2-05D101N100C500	100	100 ± 30%	400	500	6.5	5.0	0.6
YSMZ2-05D151N100C650		150 ± 30%	400	650			
YSMZ2-05D221N100C650		220 ± 30%	400	650			
YSMZ2-05D301N100C800		300 ± 30%	400	800			
YSMZ2-05D391N100C800		390 ± 30%	400	800			
YSMZ2-05D851N100C900	850 ± 30%	100	900				
YSMZ2-05D102N100C900	1000 ± 30%	100	900				
YSMZ2-05D472N100C900	4700 ± 30%	100	900				
YSMZ2-06D101N80C650	80	100 ± 30%	600	650	7.5	5.0	0.6
YSMZ2-06D121N80C650		120 ± 30%	600	650			
YSMZ2-06D151N80C800		150 ± 30%	600	800			
YSMZ2-06D201N80C900		200 ± 30%	600	900			
YSMZ2-07D70RN80C650		70 ± 30%	600	650			
YSMZ2-07D101N80C650	80	100 ± 30%	600	650	8.0	5.0	0.6
YSMZ2-07D151N80C650		150 ± 30%	600	650			
YSMZ2-07D221N80C800		220 ± 30%	600	800			
YSMZ2-07D271N80C800		270 ± 30%	600	800			
YSMZ2-07D391N80C900		390 ± 30%	400	900			
YSMZ2-07D561N80C900	560 ± 30%	300	900				
YSMZ2-07D681N80C900	680 ± 30%	200	900				
YSMZ2-07D102N80C900	1000 ± 30%	100	900				
YSMZ2-07D70RN100C650	100	70 ± 30%	600	650	8.0	5.0	0.6
YSMZ2-07D101N100C650		100 ± 30%	600	650			
YSMZ2-07D151N100C800		150 ± 30%	600	800			
YSMZ2-07D221N100C800		220 ± 30%	600	800			
YSMZ2-07D271N100C800		270 ± 30%	600	800			
YSMZ2-07D331N100C800	330 ± 30%	400	800				
YSMZ2-07D391N100C900	390 ± 30%	400	900				
YSMZ2-07D561N100C900	560 ± 30%	300	900				
YSMZ2-09D75RN80C900	80	75 ± 30%	1000	900	10.0	5.0	0.6
YSMZ2-09D101N80C900		100 ± 30%	1000	900			
YSMZ2-09D151N80C1000		150 ± 30%	1000	1000			
YSMZ2-09D201N80C1000		200 ± 30%	1000	1000			

注:1. 规格表中产品客户可以根据实际需要选择侧弯、内弯、直线引线外形。

2. 规格表中R₂₅标称阻值精度可根据客户实际需求而定。

Notes: 1. In specification Table ,customers can choose side bend ,interior bend straight lead form according to the actual needs,
2. In specification sheet, resistance accuracy of R₂₅ nominal can be determined according to the actual demand of customer.