

YSMZ3

系列PTC热敏电阻器

YSMZ3 series
PTC thermistor

产品概述:

YSMZ3系列用作温度传感器，具有尺寸小、热容量低的特点，能有效的显示开关电源中功率器件的过热保护。

Product Overview:

YSMZ3 series as a temperature sensor, with a small size, low heat capacity, which can effectively display over temperature protection of the power devices in switching power.

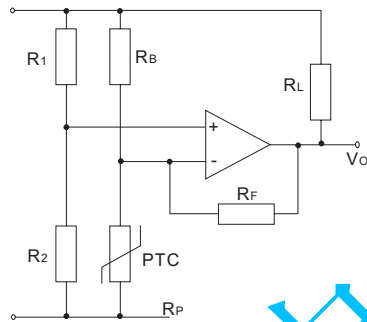
应用原理:

如图1，在正常环境温度下，PTC热敏电阻器阻值 R_p 小于 R_s ，输出电压较低，当环境温度超过设定温度时，PTC热敏电阻器阻值 R_p 快速上升超过 R_s ，从而导致 V_o 增加到足够高的电压而动作（图2）。

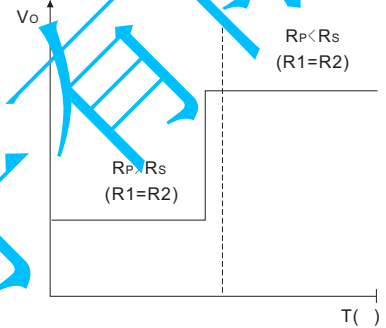
Application of Principle:

Shown in Fig 1, in normal ambient temperature, PTC thermistor resistance R_p is less than R_s , the output voltage is low, when the ambient temperature exceeds a set temperature, PTC thermistor resistance R_p rapidly increases more than R_s , which lead to a high enough voltage V_o and act (Fig 2).

应用实例: Application Examples



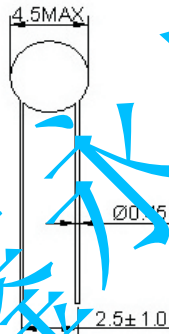
图Fig.1



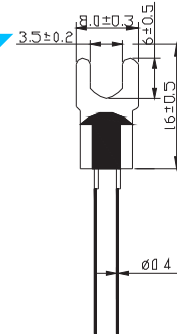
图Fig.2

产品外形尺寸: Product Dimensions

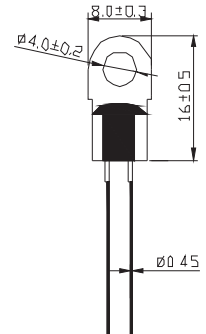
Unit:mm



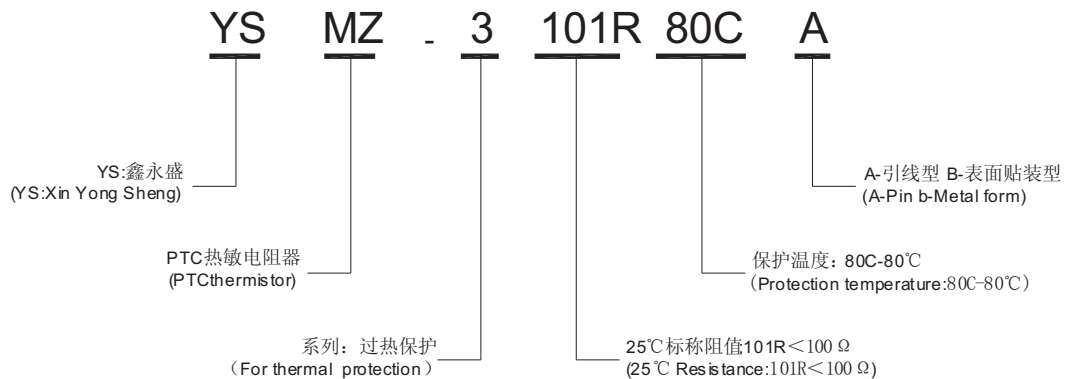
引线型Lead Surface



表面贴装型Mount Type
Switch temperature



产品型号说明: Product Type Description



YSMZ3系列参数表
Specification table

Par number	Resisance @25°C	Resisance @ _s -15°C	Resisance @ Proecion Temperature	Max. volage	Proecion Temperaure	Max. curren
型 号	额定电阻值 R ₂₅ @25°C (Ω)	保护温度-15°C电阻值 R _{S-15} (Ω)	保护温度电阻值 R _s (Ω)	最大电压 V _{max} (V)	保护温度点 s (°C)	最大电流 I _{max} (mA)
MZ3-101R60C□	100	330MAX	470MAX	30	60	100
MZ3-101R70C□	100	330MAX	470MAX	30	70	100
MZ3-101R80C□	100	330MAX	470MAX	30	80	100
MZ3-101R90C□	100	330MAX	470MAX	30	90	100
MZ3-101R100C□	100	330MAX	470MAX	30	100	100
MZ3-101R110C□	100	330MAX	470MAX	30	110	100
MZ3-101R120C□	100	330MAX	470MAX	30	120	100
MZ3-101R130C□	100	330MAX	470MAX	30	130	100
MZ3-331R60C□	330	1500MAX	2200MAX	30	60	100
MZ3-331R70C□	330	1500MAX	2200MAX	30	70	100
MZ3-331R80C□	330	1500MAX	2200MAX	30	80	100
MZ3-331R90C□	330	1500MAX	2200MAX	30	90	100
MZ3-331R100C□	330	1500MAX	2200MAX	30	100	100
MZ3-331R110C□	330	1500MAX	2200MAX	30	110	100
MZ3-331R120C□	330	1500MAX	2200MAX	30	120	100
MZ3-331R130C□	330	1500MAX	2200MAX	30	130	100

注1. 除上述温度保护点外, 同时也可以根据客户的实际要求进行设计。
2. 产品外形可以根据客户要求订做: 引线封装类、金属外壳封装类。

Note 1. BESIDES the above-mentioned temperature protection spots, We can design according to customer's actual requirements.
2. Product shape can be customized according to customer's requirements: leaded package types, metal wrapper classes

惠州金鑫